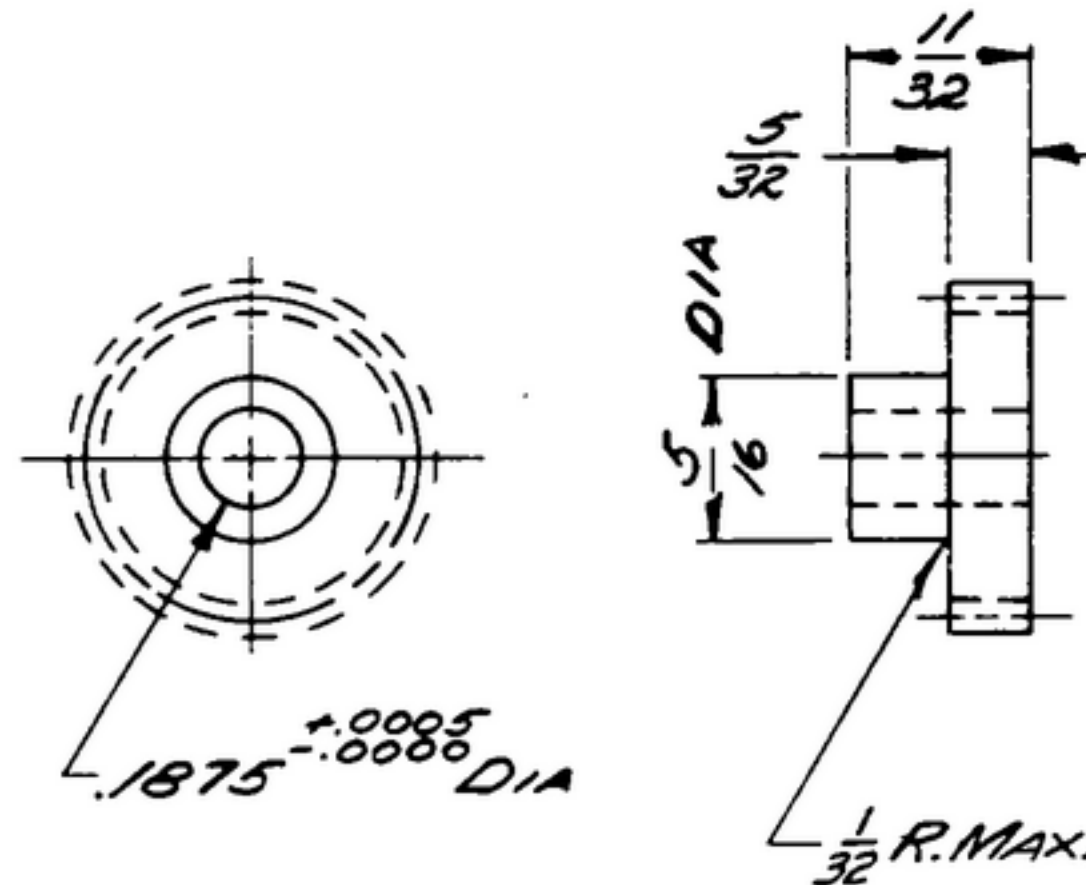


NOTICE: WHEN GOVERNMENT DRAWINGS, SPECIFICATIONS, OR OTHER DATA ARE USED FOR ANY PURPOSE OTHER THAN IN CONNECTION WITH A SPECIFICALLY RELATED GOVERNMENT PROCUREMENT OPERATION, THE UNITED STATES GOVERNMENT THEREBY INCURS NO RESPONSIBILITY FOR ANY OBLIGATION WHATSOEVER, AND THE FACT THAT THE GOVERNMENT MAY HAVE FORMULATED, FURNISHED, OR IN ANY WAY SUPPLIED THE SAID DRAWINGS, SPECIFICATIONS, OR OTHER DATA IS NOT TO BE REGARDED BY REPLICATION OR OTHERWISE AS IN ANY MANNER LICENSING THE HOLDER OR ANY OTHER PERSON OR CORPORATION, OR CONFERRING ANY RIGHTS OR PRIVILEGES OF MANUFACTURE, USE, OR SELL ANY PATENTED INVENTION THAT MAY IN ANY WAY BE RELATED THERETO.

THIS DOCUMENT HAS BEEN PURCHASED BY THE GOVERNMENT AND MAY BE REPRODUCED AND USED IN CONNECTION WITH ANY GOVERNMENT PROCUREMENT OR MAINTENANCE OPERATION.

* FOR INFORMATION ONLY. CONTRACTOR MAY AT HIS OPTION DEVIATE FROM THESE PROCESS DETAILS.

| REVISIONS | | | |
|-----------|-------------|------|----------|
| SYM | DESCRIPTION | DATE | APPROVAL |



NOTES:
 1. GEAR DATA:
 NORMAL DIAMETRAL PITCH 32
 NORMAL PRESSURE ANGLE 20°
 NUMBER OF TEETH 20
 THEORETICAL PITCH DIAMETER .625
 BACKLASH .0015 TO .0025 WHEN REFERRED TO TO THE THEORETICAL PITCH CIRCLE.
 TOTAL COMPOSITE ERROR NOT TO EXCEED .003 WHEN MEASURED WITH MASTER GEAR.
 AMERICAN STANDARD INVOLUTE TOOTH FORM.
 ALL TERMS USED AS DEFINED BY A.G.M.A. STANDARDS.

CPES, COND 3035, COND B, SURFACE COND d, PER SPEC MIL-5-7720

FINISH: E300 PER SPEC. MIL-F-14072

** COLLINS 558-0225-00*

| COLLINS PART NO. | ITEM | REQD | PART NO. | DESCRIPTION | MATL | MATL SPEC |
|--------------------------------------|------|------|----------|-------------|------|-----------|
| LIST OF MATERIAL | | | | | | |
| <i>COLLINS PART NO. 558-0225-002</i> | | | | | | |

| | | | | | | | | | |
|---------------------|----------|--------------------|---------------------|---|-----------------|----------|---|-------------|--|
| | | | | DRAWN | CHECKED | APPROVED | COLLINS-RADIO CO. GEAR DIVISION 14214-PH-51-93 SIGNAL CORPS REVIEWED <i>PME</i> APPROVED <i>HLY</i> <i>PME</i> DATE <i>8 DEC 1955</i> SCALE <i>2/1</i> | GEAR - SPUR | DEPARTMENT OF THE ARMY SIGNAL CORPS ENGINEERING LABORATORIES FORT MONMOUTH NEW JERSEY |
| | | | | <i>RDG</i> | <i>Williams</i> | | | | |
| | | | | UNLESS OTHERWISE SPECIFIED: DECIMAL DIMENSIONS INCLUDING HOLE SIZES MAY VARY ±.008 FRACTIONAL DIMENSIONS INCLUDING HOLE SIZES MAY VARY ±1/64 MACHINED ANGLES MAY VARY ±.1° SHEARED ANGLES MAY VARY ±.25° BROKEN ANGLES MAY VARY ±.1° ECCENTRICITY BETWEEN ANY DIAMETERS ON THE SAME CENTERLINE SHALL NOT EXCEED .010 TOTAL INDICATOR READING. ALL DIMENSIONS ARE FINISH DIMENSIONS INCLUDING APPLIED FINISH AND ARE GIVEN IN INCHES. | | | | | |
| <i>558-0225-002</i> | <i>1</i> | <i>SM-B-248903</i> | <i>SC-24-248775</i> | | | | | | <i>SM-B-248903</i> |
| COLLINS NO. | QTY | NEXT ASSY | USED ON | APPLICATION | | | | | |